

Product information

92 01 06

Universal Tweezers



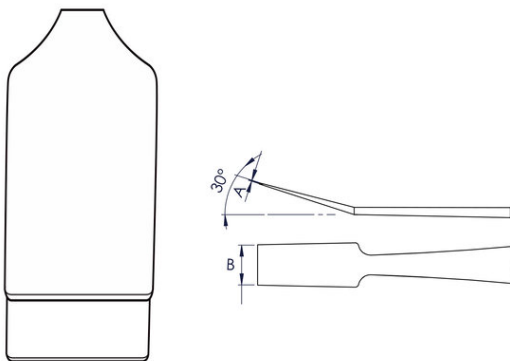
- Universal Tweezers are suitable for demanding standard applications and precision tasks
- Wide range of designs: straight, angled, gripping surfaces and handles smooth or serrated, with needle points, narrow or blunt tips, as well as different lengths
- For the electronics industry, watchmakers and jewellers
- High quality stainless steel: extremely tough and very good corrosion resistance against a variety of atmospheric environments and many corrosive materials
- Premium stainless steel

General

| | |
|-------------------|--------------------------|
| Article No. | 92 01 06 |
| EAN | 4003773086765 |
| Material | premium stainless steel |
| Gripping surfaces | smooth gripping surfaces |
| Weight | 16 g |
| Dimensions | 120 x 10 x 18 mm |
| Reach | no |
| RohS | no |

Technical details

| | |
|---------------------|----------------------|
| Tips width (A) | 0.17 mm |
| Tips width (B) | 6 mm |
| Corrosion-resistant | yes |
| | no |
| VDE tested | no |
| sectors | Industry electronics |



Classification

| | |
|----------------|------------|
| eCl@ss 5.1.4 | 21040500 |
| ETIM 5.0 | EC000182 |
| ETIM 6.0 | EC000182 |
| proficl@ss 6.0 | EAB696c019 |

technical change and errors excepted